

ROBAN

Instruction manual

Scale Fuselage UH-60 (Blackhawk, Seahawk, Jayhawk)

500 size



1. INTRODUCTION

Thank you for buying Roban Model products. The 500 size UH-60 scale fuselage is designed as an easy to use product. Please read the manual carefully before assembling the model, and follow all precautions and recommendations located within the manual. Be sure to retain the manual for future reference, routine maintenance and tuning. The scale fuselage is designed for T-REX 500 Helicopter series use. You can easily put it on your T-REX 500 for new clothing.

Important Note

Roban Model R/C Helicopters are advanced, high-performance devices, built incorporating the latest technologies. They are not intended as toys, and improper use can potentially lead to serious injury, or even fatal accidents. We implore you to read this manual thoroughly before operating these models. Safety should be your utmost priority - not just your own, but also that of others and your surroundings when piloting Roban Model products.

Liability Disclaimer:

The manufacturer and the seller cannot accept liability for the operation or misuse of this product. Roban Model R/C helicopters are intended to be used exclusively by experienced adults in legally sanctioned flying fields. Once sold, we cannot monitor or control the product's operation or usage.

Operation Guidelines:

Upon assembly of the scale fuselage, the weight and complexity of the structure will increase. To mitigate risk of accidents and damages, we advise against attempting 3D flights.

Skill Requirements:

ROBAN

The operation of R/C products necessitates a certain level of skill and familiarity. Any damages or dissatisfaction resulting from accidents, modifications, or operational mishaps are not covered under any warranty. Consequently, such products cannot be returned for repair or if you experience problems during operation or maintenance.

2. OPERATIONAL GUIDELINES FOR SAFETY IN USING R/C AIRCRAFT MODELS

Safety Zone:

Prioritize the safety of others by operating R/C aircraft models in isolated areas, free of bystanders. Avoid piloting these models near residential zones or large groups of people.

Operational Risks:

Be aware that R/C aircraft models are susceptible to accidents, malfunctions, and crashes. These may result from a range of factors such as inadequate maintenance, pilot errors, or radio interference. Understanding these risks is crucial for safe operation.

Pilot Responsibility:

Pilots bear the sole responsibility for any damage or injuries that may occur during operation or as a result of using R/C aircraft models. By undertaking the control of these devices, you accept accountability for your actions and their possible consequences. Always aim for caution and responsible handling to minimize any potential risks.

ROBAN

3. CONTENTS OF KIT

Please check the contents of the kit prior to installation.



SCOPE OF DELIVERY

Item No.	Description	Quantity
1	Landing gear	x2
2	Landing gear	x1
3	Landing gear	x1
4	Screw M3x16	x3
5	Screw M3x12	x2
6	T-connector	x2
7	Washer M3	x4
8	Screw M2x8	x2
9	Nut M2	x2
10	Screw A2x8	x4
11	Main frame	x2
12	Tail tube	x1

ROBAN

13	Linkage	x1
14	Tail shaft	x1
15	Rear redirection	x1
16	Gear	x1
17	Tail gear	x1
18	Mounting blocks	x2
19	Holder	x1
20	Screw M2x16	x4
21	Washer M2	x4
22	Nut M2	x4
23	Screw A2x8	x4
24	Screw A2x6	x2
25	Auxiliary tanks	x2
26	Screw A3x10	x4
27	Screw A2x12	x8
28	Bracket	x4
29	Boom	x2
30	Rockets	x8
31	Top suspension	x2
32	Bottom suspension	x2
33	Tail unit	x1
34	Pin 3mm	x2
35	Inner turbine outlet	x2
36	Outer turbine outlet	x2
37	Side windows	x2
38	Front window	x1
39	Screw A1.7x6	x4
40	Bottom window	x2
41	Front side window	x2
42	Skylight window	x2
43	Center window	x2
44&45	Scale accessories	x5
46	Lamp cover	

REQUIRED TOOLS / CONSUMABLES

Tool No.	Tool/Consumable
1	Hobby knife
2	Allen wrench
3	Phillips screwdriver
4	File
5	Side cutters
6	Silicone adhesive
7	Super glue
8	2K Epoxy glue
9	Fine sandpaper

ROBAN

10	Scissors
11	20g Servo

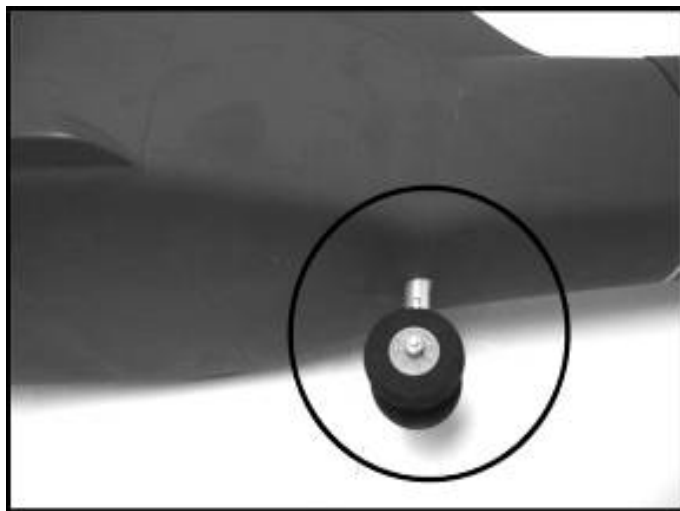
ROBAN

4. INSTALLATION

- 4.1. Assemble the landing gear using 8 pieces of Screw M3x16/12 as shown.



- 4.2. Assemble the landing gear as shown.



- 4.3. Screw the landing gear firmly with Screw M3x16 as shown.



ROBAN

- 4.4. Attach the brackets with Screw A2x8 as shown.



- 4.5. Assemble the rear landing gear as shown with 2 pieces of Screw M2x8.



- 4.6. Secure the ball head with Screw M2x8 as shown.



ROBAN

- 4.7. Install the provided main frame and the rear redirection.



- 4.8. Remove the rear frame.

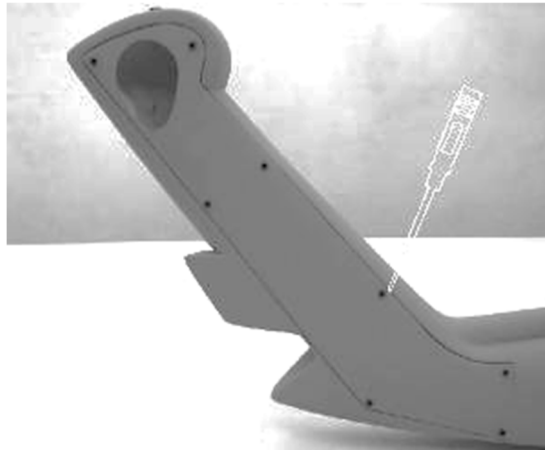


- 4.9. Install the mounting blocks as shown.

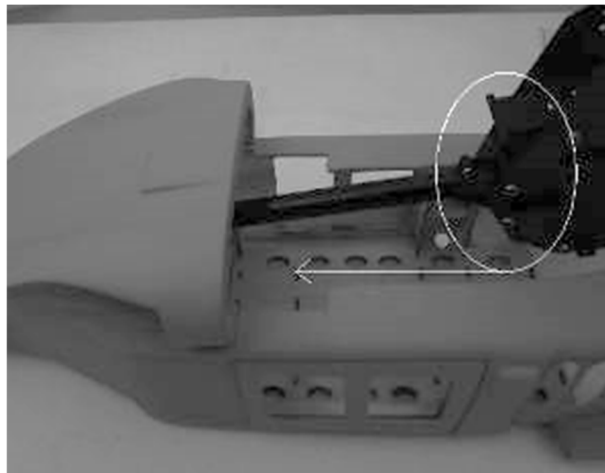


ROBAN

- 4.10. Remove the rear cover.



- 4.11. Insert the mechanics into the fuselage.



- 4.12. Install the tail propeller. Attach it with the wooden holder and 2 pieces of Screw A2x6 and the fuselage.



ROBAN

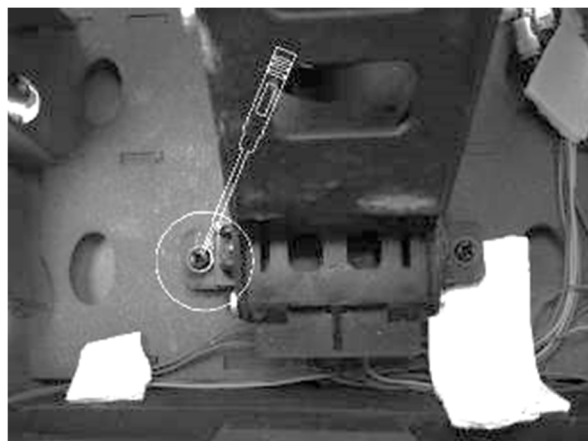
4.13. Install the linkage.



4.14. Install the rear cover.



4.15. Install the mechanics with 2 pieces of Screw A2x8.

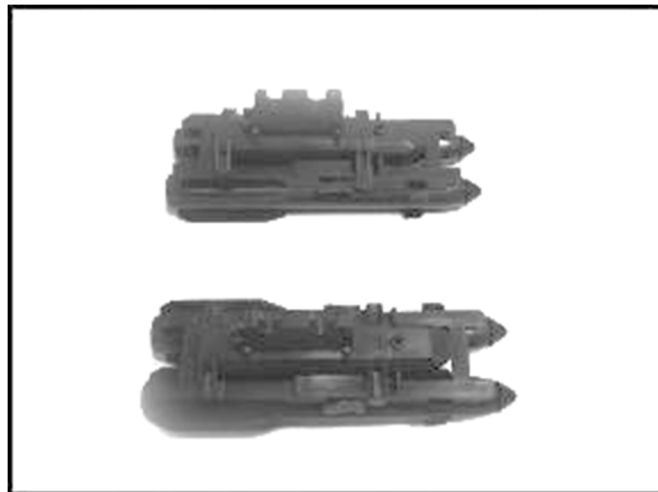


ROBAN

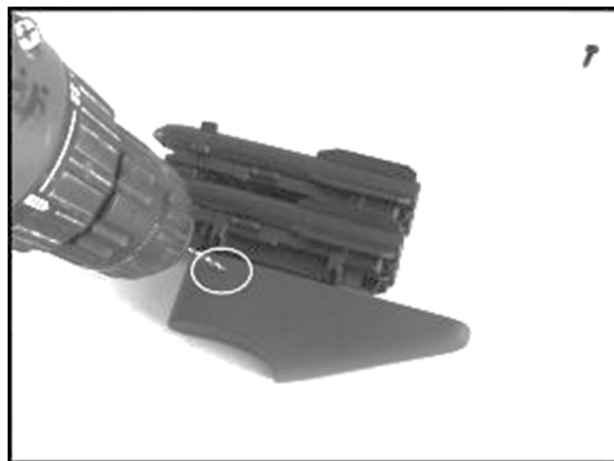
- 4.16. Install the mechanics with 2 pieces of Screw A2x8.



- 4.17. Glue the rocket launcher holder to the rocket as shown as shown.



- 4.18. Drill 2 holes each into the suspension and mount the rocket launcher with Screw A2x12.

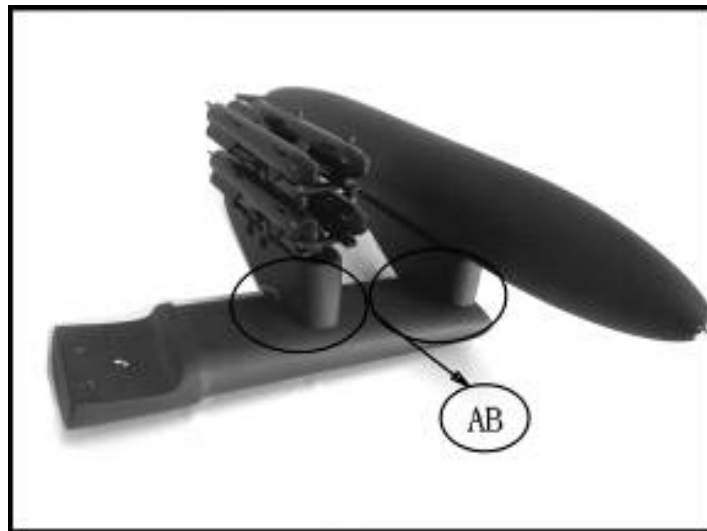


ROBAN

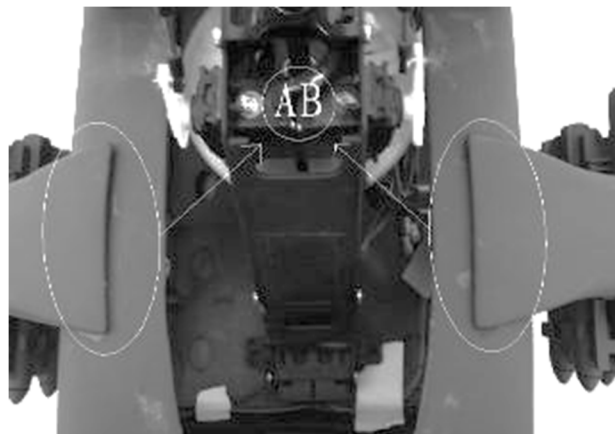
- 4.19. Proceed with the external tank as in step 18.



- 4.20. Glue the rocket launcher and the tank with epoxy adhesive to the boom as shown.

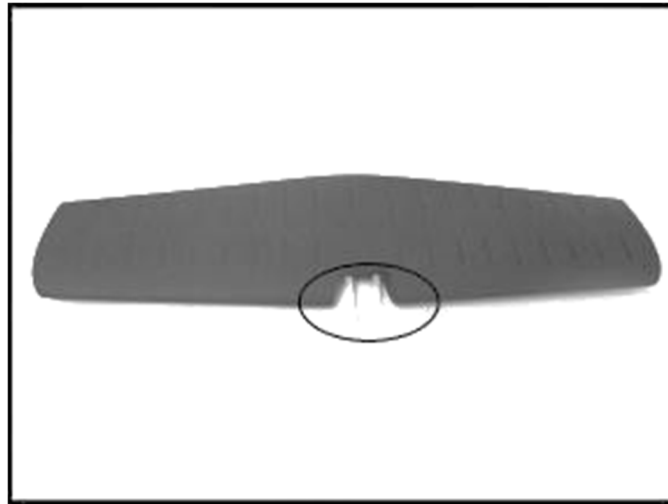


- 4.21. Glue the booms as shown to the fuselage.

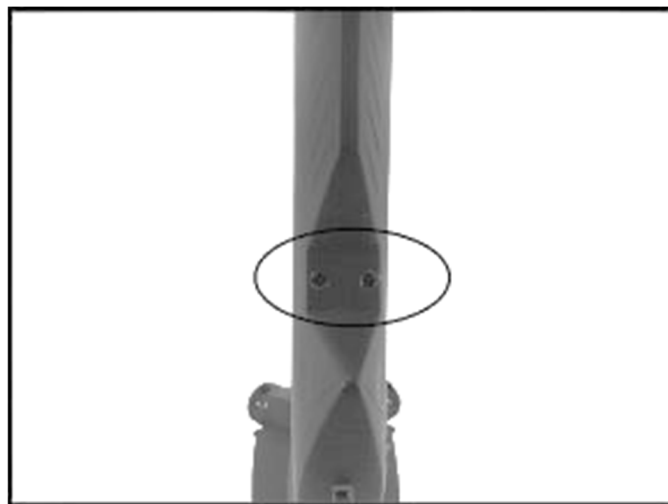


ROBAN

- 4.22. Glue the pins into the tail unit.



- 4.23. Drill two 3.2mm holes in the fuselage to accommodate the pins.

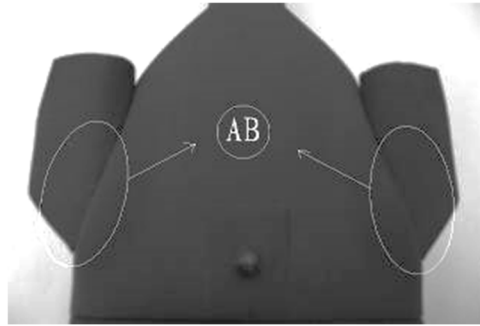


- 4.24. Glue the tail unit to the fuselage, aligned cleanly.

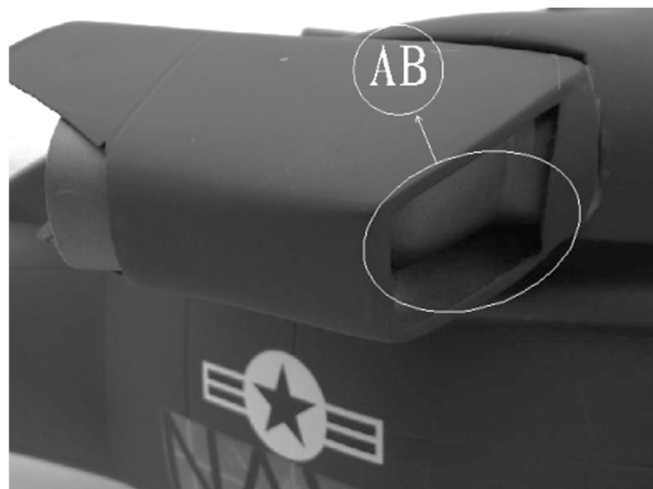


ROBAN

4.25. Glue in the exhaust outlets.

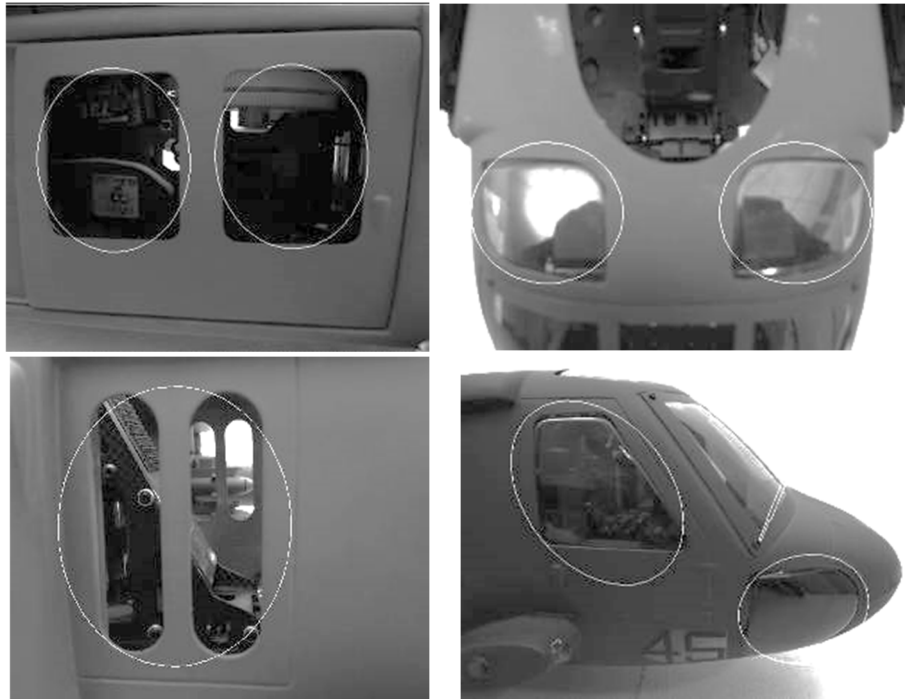


4.26. Glue in the inner outlets.



ROBAN

4.27. Glue the windows as shown.



4.28. Glue the scale parts as shown



ROBAN

5. SPAREPARTS LIST

UH500PJ001		500UH60 引擎盖	500 UH-60 engine hatch
UH500PJ002		500UH60 前窗	500 UH-60 front window
UH500PJ003		500UH60 全套窗	500 UH-60 all windows
UH500PJ004		500UH60 平尾	500 UH-60 tail wings
UH500PJ005		500UH60 武器	500 UH-60 weapon set
UH500PJ006		500UH60 像真件	500 UH-60 antenna set
UH500PJ007		500UH60 黑鹰脚架	500 UH-60 landing gear set reg
UH500PJ008		500UH60 红鹰脚架	500 UH-60 landing gear set sea
UH500PJ009		500UH60 固定件	500 UH-60 mounting hardware
UH500PJ010		500UH60 齿轮组	500 UH-60 tail gear
UH500PJ011		500UH60 侧板	500 UH-60 side frames

ROBAN

UH500PJ011V2		500UH60 侧板 碳纤	500 UH-60 side frames V2
UH500PJ012		500UH60 像真 座椅	500 UH-60 cockpit set
UH500PJ013		500UH60LED 灯	500 UH-60 light kit
UH500PJ014		500UH60 水印	500 UH-60 decal set
500WBX		500 轴传通用 尾波箱	500 UH-60 tail gearbox
500WBX01		500 轴传通用 短尾管+轴+ 拉杆	500 UH-60 tail tubes
500WBX02		500 轴传通用 扇齿	500 UH-60 bevel gears
500WBX03		500 轴传 45 度斜齿	500 UH-60 bevel gear

ROBAN

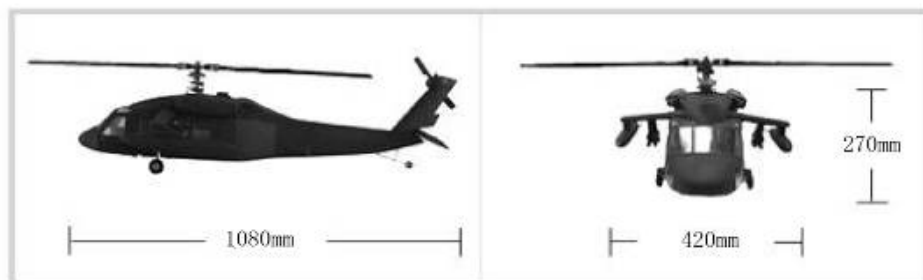
6. ILLUSTRATION OF READY MOUNTED HELICOPTER



Specifications:

Length:	1080mm
Height:	270mm
Width:	420mm
Weight:	700g

Suitable for Align TREX500 und similar mechanics



We wish you a lot of fun with the fuselage!

ROBAN

Copyright 2024 – www.robamodel.com