

ROBAN

Instruction Manual

Scale Fuselage MD500D/E

250 size



1. INTRODUCTION

Thank you for buying Roban Model products. The 600 size MD500D/E scale fuselage is designed as an easy to use product. Please read the manual carefully before assembling the model, and follow all precautions and recommendations located within the manual. Be sure to retain the manual for future reference, routine maintenance and tuning. The scale fuselage is designed for T-REX 600 Helicopter series use. You can easily put it on your T-REX 600 for new clothing.

Important Note

Roban Model R/C Helicopters are advanced, high-performance devices, built incorporating the latest technologies. They are not intended as toys, and improper use can potentially lead to serious injury, or even fatal accidents. We implore you to read this manual thoroughly before operating these models. Safety should be your utmost priority - not just your own, but also that of others and your surroundings when piloting Roban Model products.

Liability Disclaimer:

The manufacturer and the seller cannot accept liability for the operation or misuse of this product. Roban Model R/C helicopters are intended to be used exclusively by experienced adults in legally sanctioned flying fields. Once sold, we cannot monitor or control the product's operation or usage.

Operation Guidelines:

Upon assembly of the scale fuselage, the weight and complexity of the structure will increase. To mitigate risk of accidents and damages, we advise against attempting 3D flights.

Skill Requirements:

ROBAN

The operation of R/C products necessitates a certain level of skill and familiarity. Any damages or dissatisfaction resulting from accidents, modifications, or operational mishaps are not covered under any warranty. Consequently, such products cannot be returned for repair or if you experience problems during operation or maintenance.

2. OPERATIONAL GUIDELINES FOR SAFETY IN USING R/C AIRCRAFT MODELS

Safety Zone:

Prioritize the safety of others by operating R/C aircraft models in isolated areas, free of bystanders. Avoid piloting these models near residential zones or large groups of people.

Operational Risks:

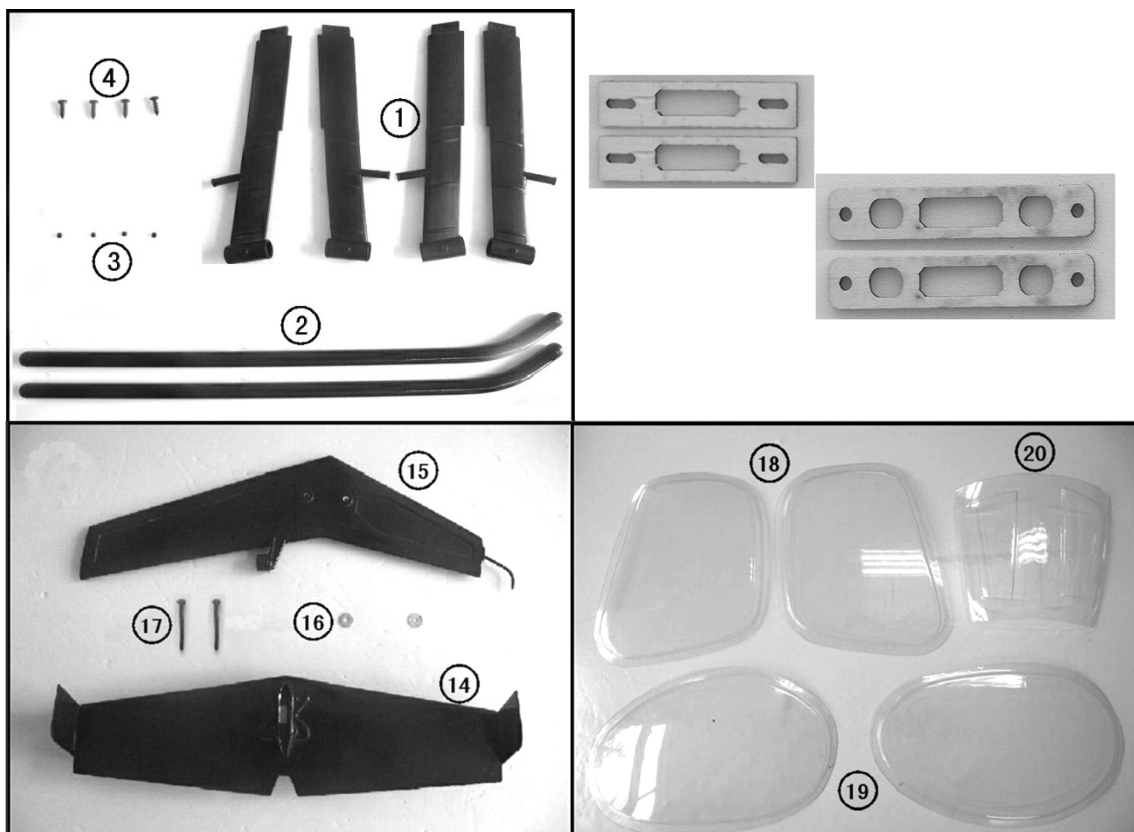
Be aware that R/C aircraft models are susceptible to accidents, malfunctions, and crashes. These may result from a range of factors such as inadequate maintenance, pilot errors, or radio interference. Understanding these risks is crucial for safe operation.

Pilot Responsibility:

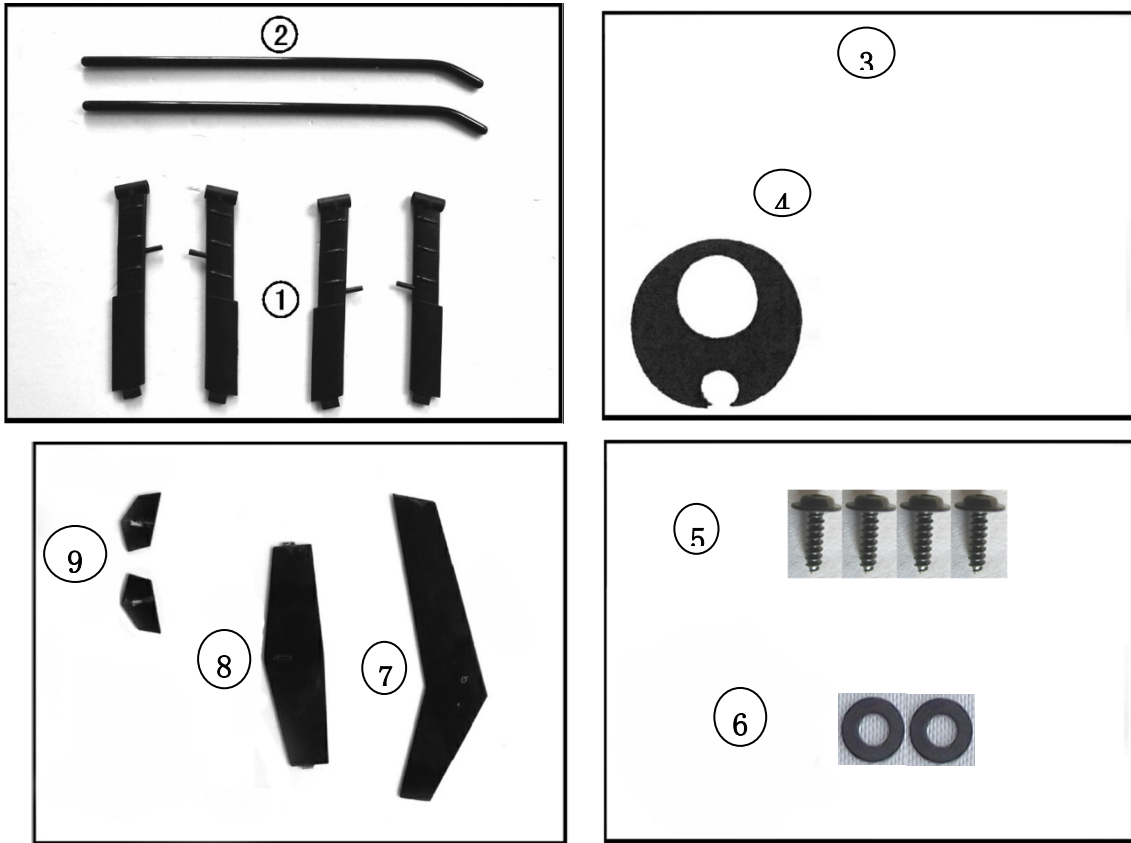
Pilots bear the sole responsibility for any damage or injuries that may occur during operation or as a result of using R/C aircraft models. By undertaking the control of these devices, you accept accountability for your actions and their possible consequences. Always aim for caution and responsible handling to minimize any potential risks.

3. CONTENTS OF KIT

Please check the contents of the kit prior to installation.



ROBAN



CONTENTS

| Item No. | Description | Quantity |
|----------|---------------------|----------|
| 1 | Landing gear struts | x4 |
| 2 | Landing gear skids | x2 |
| 3 | Set screw M3x4 | x4 |
| 4 | Screw A3x10 | x4 |
| 5 | Mounting block | x3 |
| 6 | Washer M3 | x4 |
| 7 | Screw M3x14 | x4 |
| 8 | EVA Rubber | x1 |
| 9 | Screw M3x12 | x2 |
| 10 | Screw A3x10 | x4 |
| 11 | Screw M3x12 | x2 |
| 12 | Washer M3 | x2 |
| 13 | Light cap | x2 |
| 14 | Horizontal fin | x1 |
| 15 | Vertical fin | x1 |
| 16 | Washer M3 | x2 |
| 17 | Screw M3x35 | x2 |
| 18-20 | Windows | x6 |

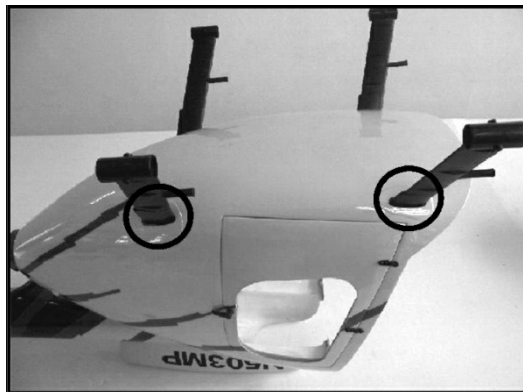
ROBAN

REQUIRED TOOLS / CONSUMABLES

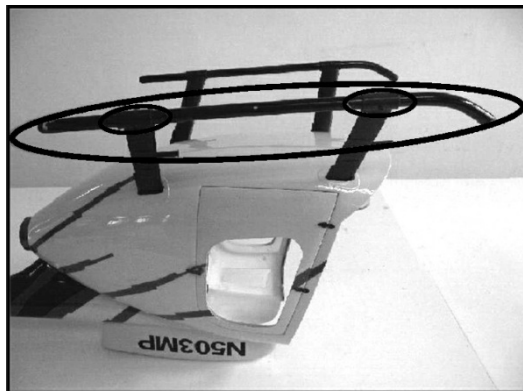
| Tool No. | Tool/Consumable | Additional Info |
|----------|-----------------------------|-----------------|
| 1 | Hobby knife | |
| 2 | Allen screwdriver | |
| 3 | Phillips screwdriver | |
| 4 | File | |
| 5 | Wire pliers | |
| 6 | Silicon glue or yellow glue | (for windows) |
| 7 | Cyanoacrylate glue | |
| 8 | 2K Epoxy Glue | |
| 9 | Fine sanding paper | |
| 10 | Scissors | |

4. INSTALLATION

4.1 Mount the struts as shown using AB Glue.

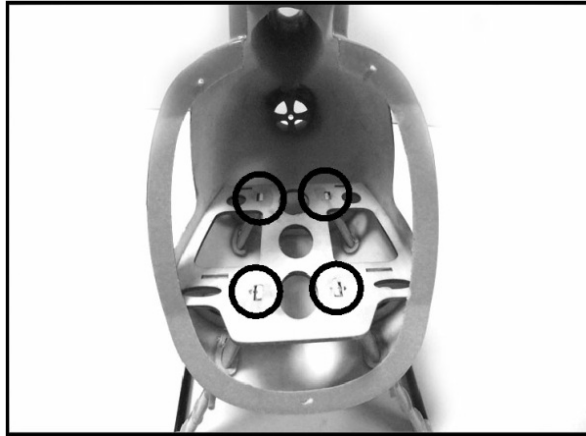


4.2 Mount the skids as shown. Use CA glue to secure them.

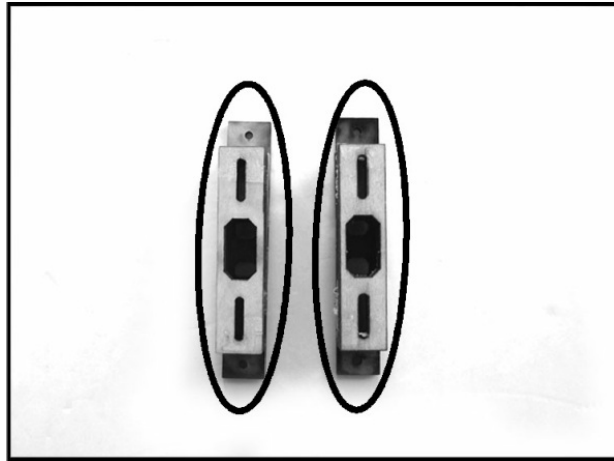


ROBAN

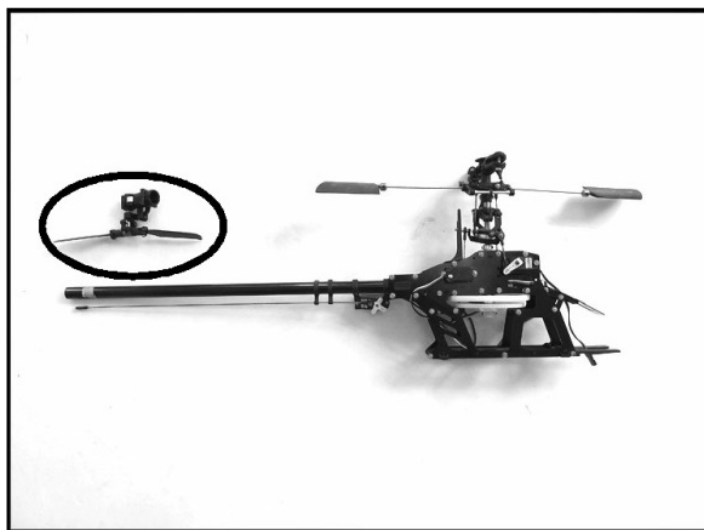
4.3 If the skids exceed from the plywood, cut the edges down.



4.4 Glue the plywood parts together as shown using CA glue.

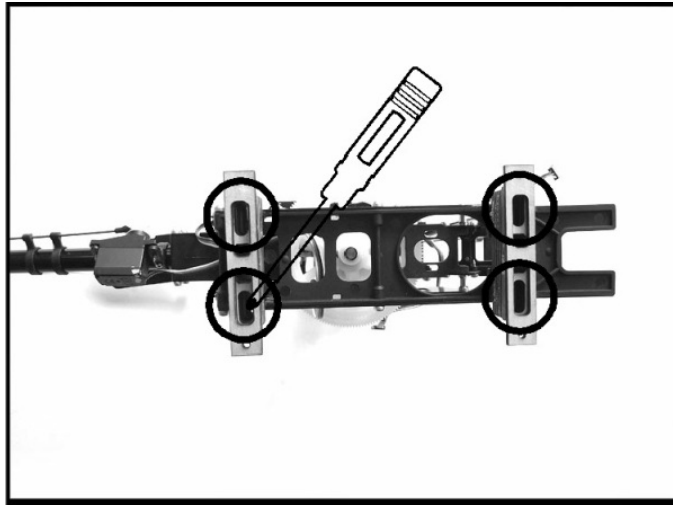


4.5 Dismantle the tail rotor frame.



ROBAN

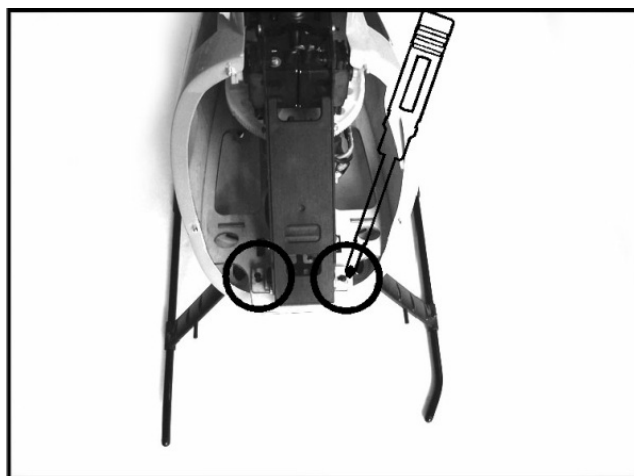
4.6 Mount the plywood parts as shown.



4.7 Insert the mechanic as shown.

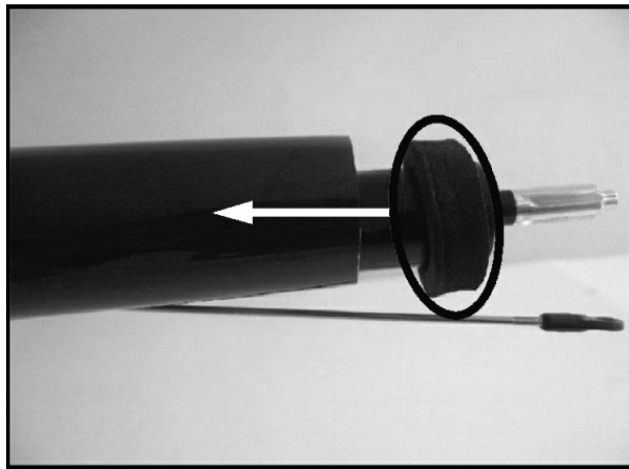


4.8 Lock it in place with the supplied screws.

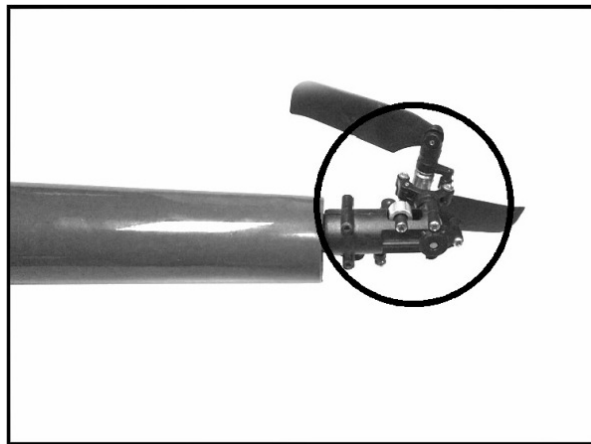


ROBAN

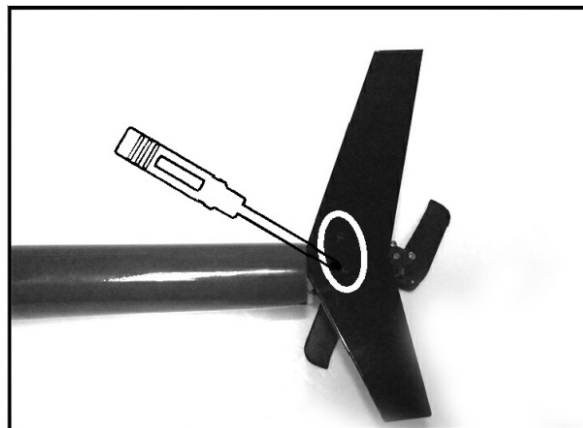
4.9 Mount the EVA rubber on the tail boom



4.10 Mount the tail rotor as shown.

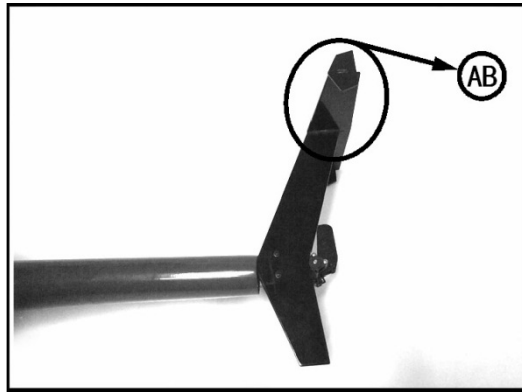


4.11 Mount the tail fin by using the tail frame support screws.



ROBAN

4.12 Glue the horizontal and vertical winglets together using AB Glue.



5. SPAREPART LIST

No spareparts are available as of now for this product

ROBAN

6. ILLUSTRATION OF READY MOUNTED HELICOPTER



Specifications:

Length: 484mm

Height: 215mm

Width: 135mm

Weight: 130g

Suitable for Align TREX250 and similar mechanics

