

ROBAN

Instruction manual

Scale Fuselage AH-1

500 size



1. INTRODUCTION

Thank you for buying Roban Model products. The 500 size EC-135 scale fuselage is designed as an easy to use product. Please read the manual carefully before assembling the model, and follow all precautions and recommendations located within the manual. Be sure to retain the manual for future reference, routine maintenance and tuning. The scale fuselage is designed for T-REX 500 Helicopter series use. You can easily put it on your T-REX 500 for new clothing.

Important Note

Roban Model R/C Helicopters are advanced, high-performance devices, built incorporating the latest technologies. They are not intended as toys, and improper use can potentially lead to serious injury, or even fatal accidents. We implore you to read this manual thoroughly before operating these models. Safety should be your utmost priority - not just your own, but also that of others and your surroundings when piloting Roban Model products.

Liability Disclaimer:

The manufacturer and the seller cannot accept liability for the operation or misuse of this product. Roban Model R/C helicopters are intended to be used exclusively by experienced adults in legally sanctioned flying fields. Once sold, we cannot monitor or control the product's operation or usage.

Operation Guidelines:

Upon assembly of the scale fuselage, the weight and complexity of the structure will increase. To mitigate risk of accidents and damages, we advise against attempting 3D flights.

Skill Requirements:

ROBAN

The operation of R/C products necessitates a certain level of skill and familiarity. Any damages or dissatisfaction resulting from accidents, modifications, or operational mishaps are not covered under any warranty. Consequently, such products cannot be returned for repair or if you experience problems during operation or maintenance.

2. OPERATIONAL GUIDELINES FOR SAFETY IN USING R/C AIRCRAFT MODELS

Safety Zone:

Prioritize the safety of others by operating R/C aircraft models in isolated areas, free of bystanders. Avoid piloting these models near residential zones or large groups of people.

Operational Risks:

Be aware that R/C aircraft models are susceptible to accidents, malfunctions, and crashes. These may result from a range of factors such as inadequate maintenance, pilot errors, or radio interference. Understanding these risks is crucial for safe operation.

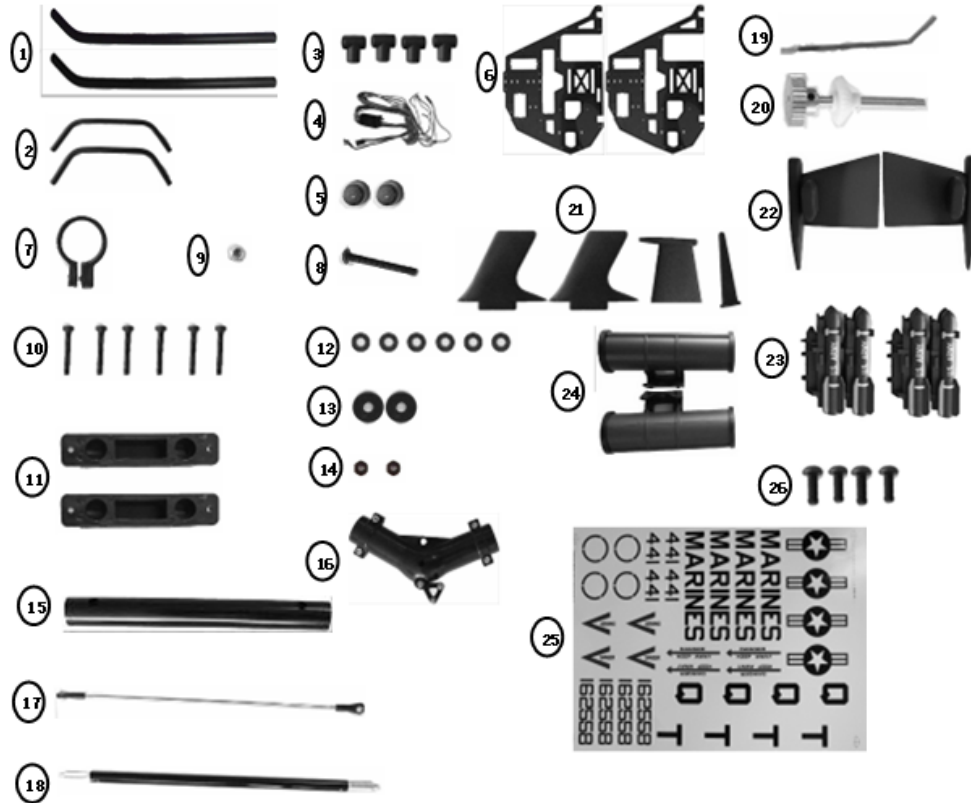
Pilot Responsibility:

Pilots bear the sole responsibility for any damage or injuries that may occur during operation or as a result of using R/C aircraft models. By undertaking the control of these devices, you accept accountability for your actions and their possible consequences. Always aim for caution and responsible handling to minimize any potential risks.

ROBAN

3. CONTENTS OF KIT

Please check the contents of the kit prior to installation.



SCOPE OF DELIVERY

Item No.	Description	Quantity
1	Landing gear skids	x2
2	Landing gear struts	x2
3	T-connectors	x4
4	LED System	x1
5	LED Covers	x2
6	Main frame	x2
7	Tail tube holder	x1
8	Screw M2.5x20	x1
9	Nut M2	x2
10	Screw M2x12	x6
11	Mounting blocks	x2
12	Washer M2	x6
13	Washer M3	x2
14	Nut M2	x2
15	Tail tube	x1
16	Rear redirection	x1

ROBAN

17	Linkage	x1
18	Tail shaft	x1
19	Tail skid	x1
20	Redirection shaft	x1
21	Fins	x4
22	Boom	x2
23	Rocket launcher	x2
24	Rocket launcher	x2
25	Decal	x1
26	Screw M3x14	x4

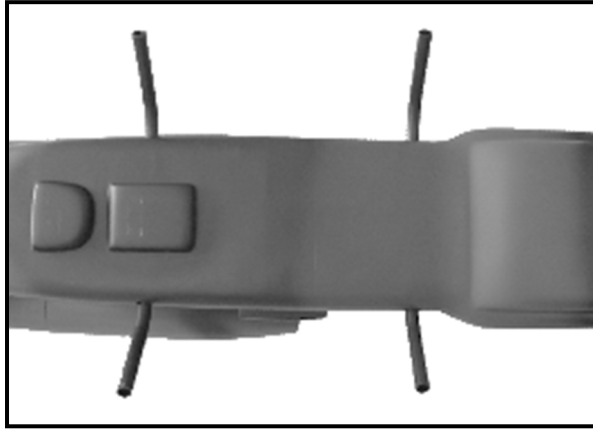
REQUIRED TOOLS / CONSUMABLES

Tool No.	Tool/Consumable
1	Hobby knife
2	Allen wrench
3	Phillips screwdriver
4	File
5	Side cutters
6	Silicone adhesive
7	Super glue
8	2K Epoxy glue
9	Fine sandpaper
10	Scissors

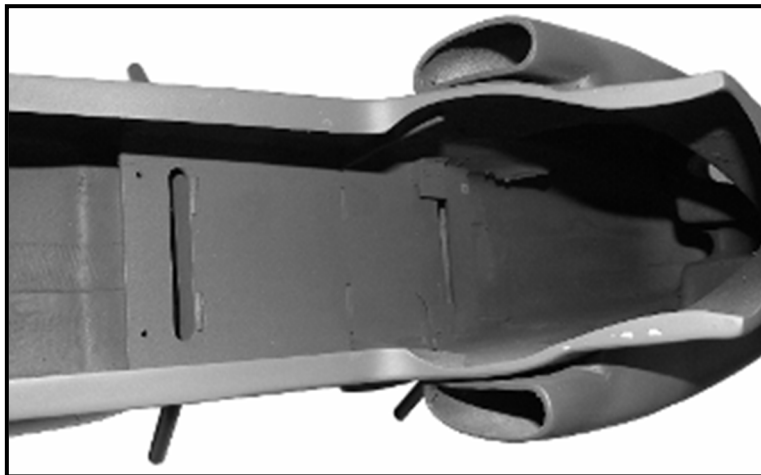
ROBAN

4. INSTALLATION

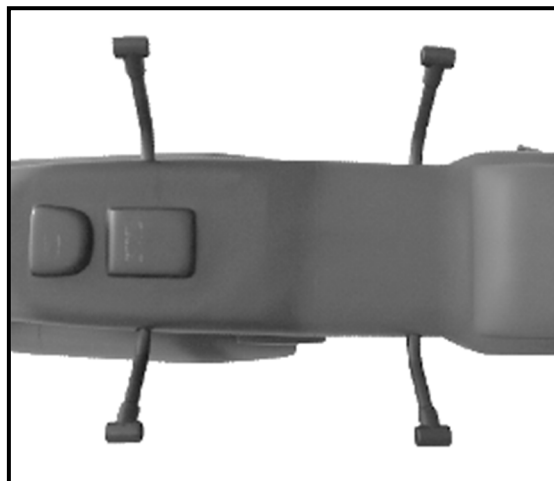
- 4.1. Assemble the landing gear struts by inserting them.



- 4.2. Secure them with 4 screws, size A3x14 from the inside.

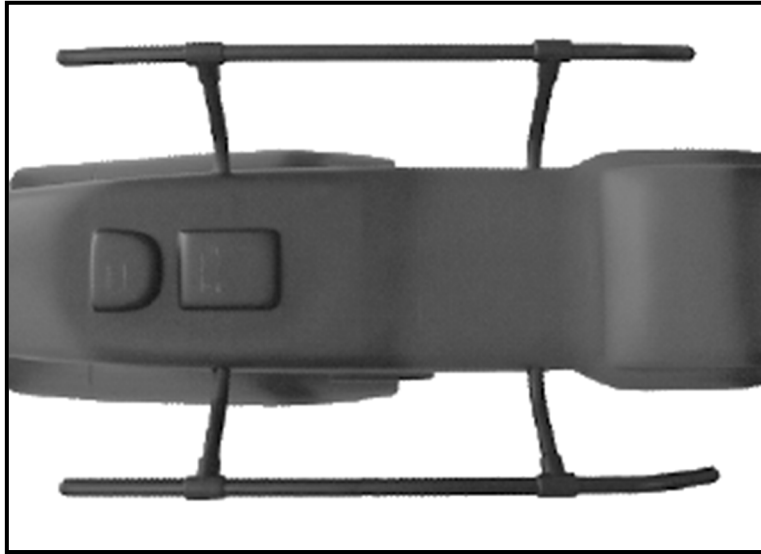


- 4.3. Install the T-connectors as shown, do not glue them in yet.

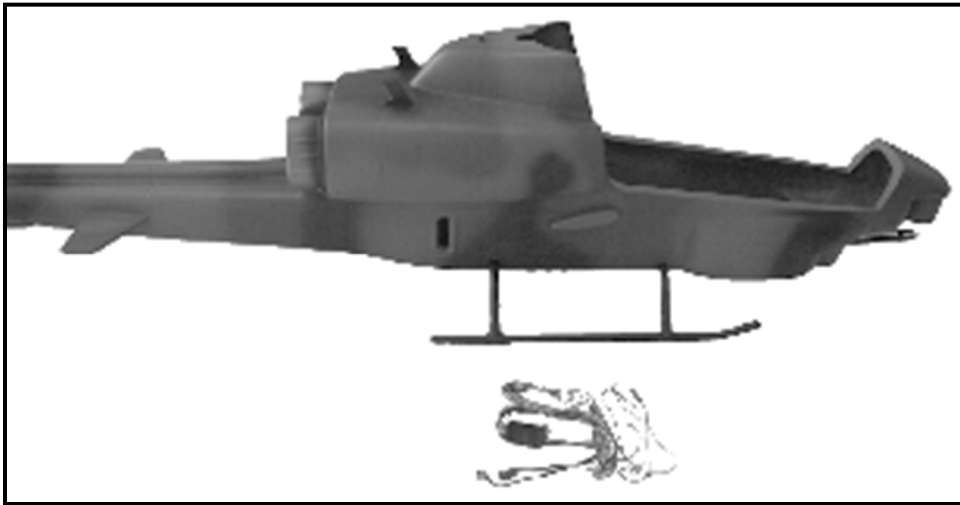


ROBAN

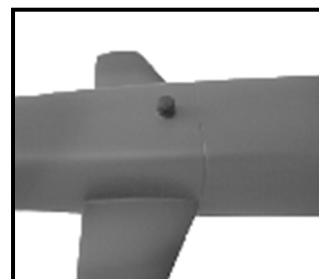
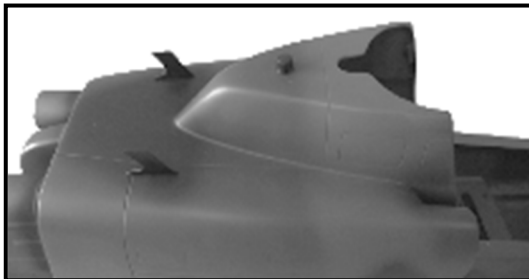
- 4.4. Mount the skids and glue them as shown, as well as the side to the struts. Align them properly.



- 4.5. Install the LED lighting set.

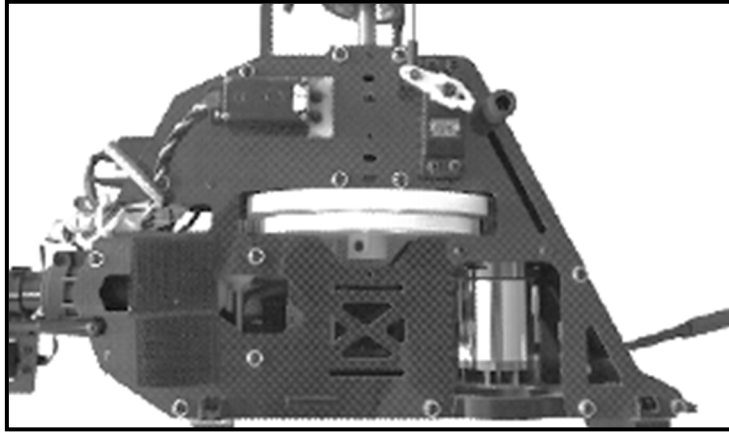


- 4.6. Glue the lamp covers as shown.

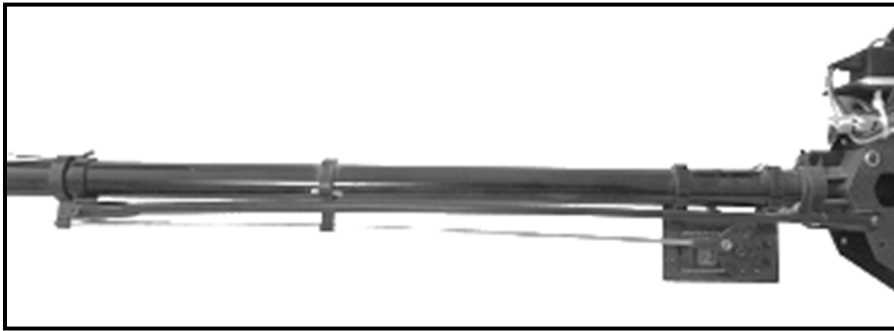


ROBAN

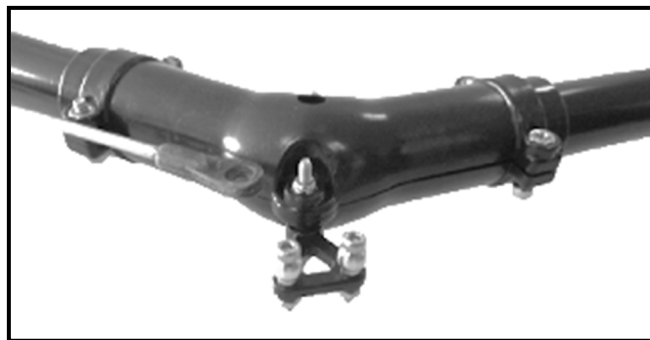
- 4.7. Install the provided main frame and the rear tail elevation set.



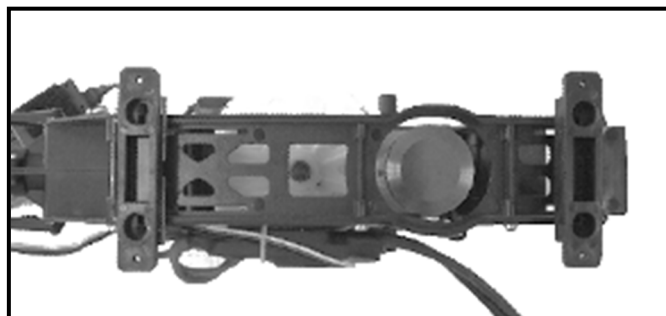
- 4.8. Mount the pushrod for the tail with the guide rings as shown.



- 4.9. Install the rear gearbox as shown. Fly the mechanics with the 3D landing gear and check everything without the fuselage.

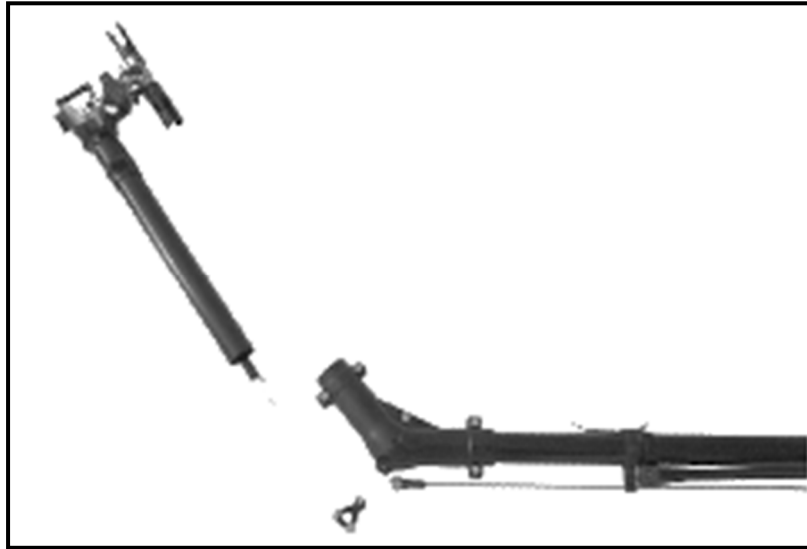


- 4.10. Install the spacers instead of the landing gear.



ROBAN

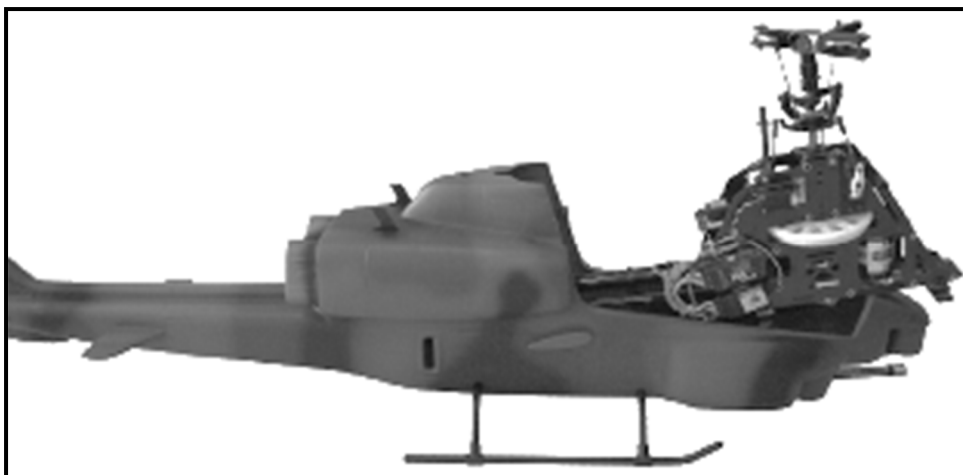
- 4.11. Remove the tail gearbox as shown.



- 4.12. Remove the tail cover.



- 4.13. Insert the mechanics into the fuselage.

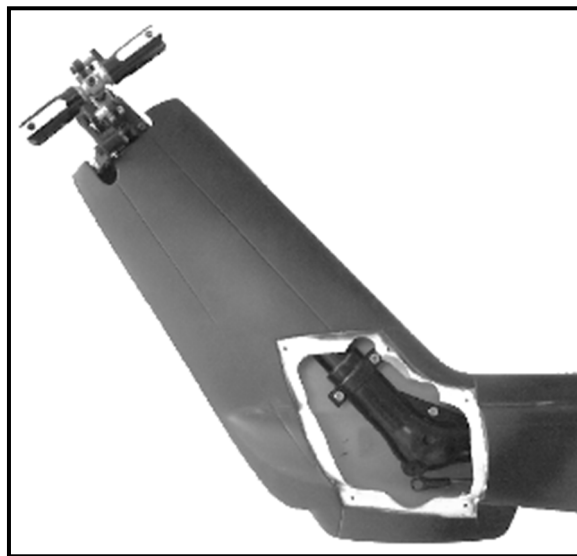


ROBAN

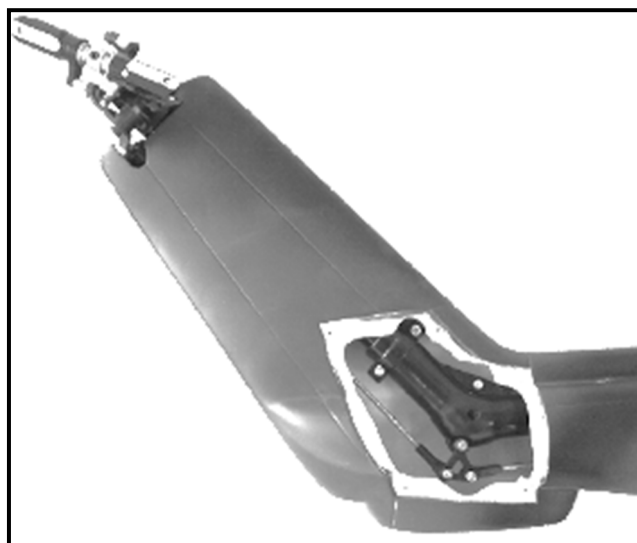
- 4.14. The mechanis tail mounting blocks must engage into these slots!



- 4.15. Install the tail rotor as shown.

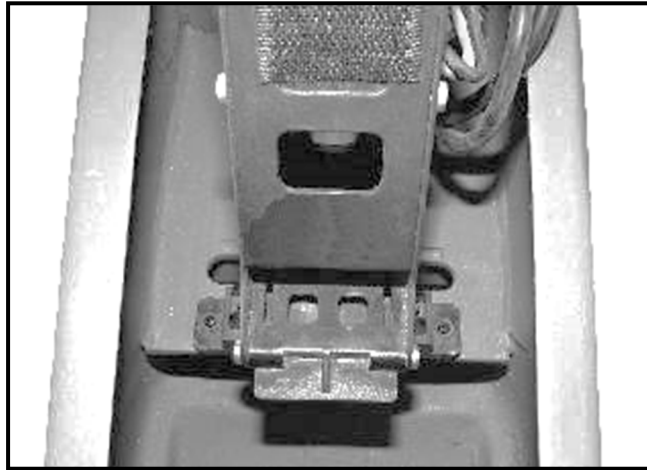


- 4.16. Install the linkage on the gearbox.

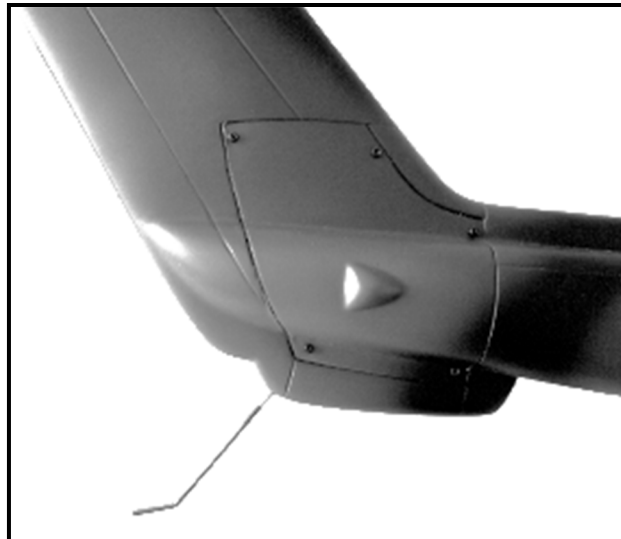


ROBAN

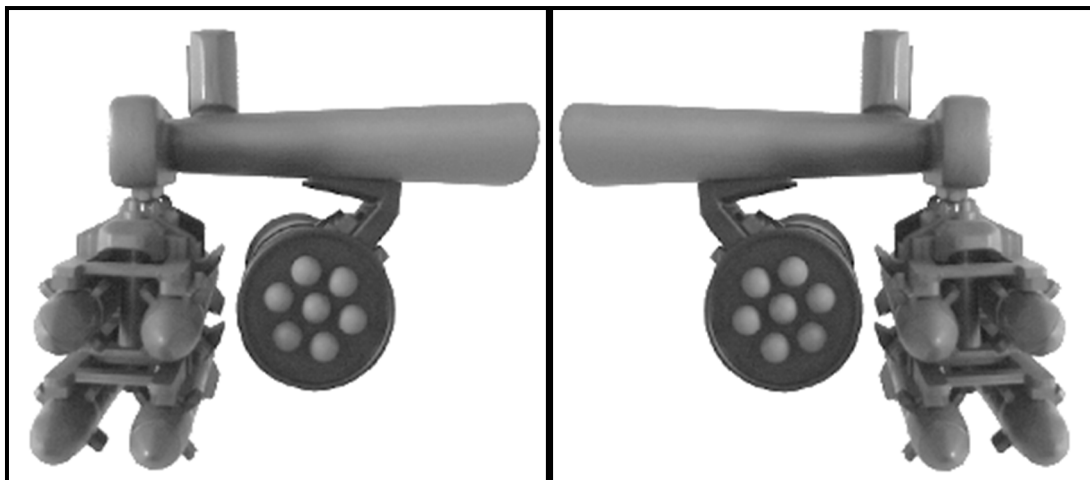
- 4.17. Secure the mechanics with 2 pieces of Screw M2x12 and washer.



- 4.18. Install the tail cover again and the tail skid with glue.

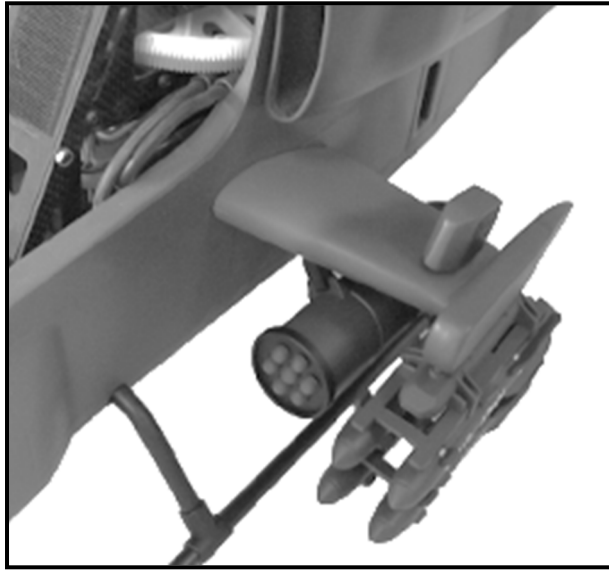


- 4.19. Glue the the rockets to the winglet as shown on both sides.



ROBAN

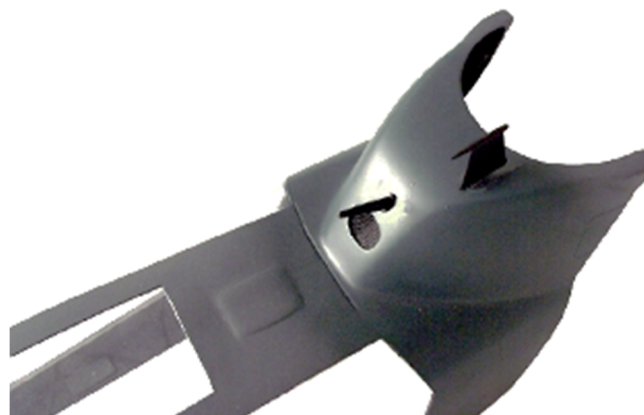
- 4.20. Glue the winglet into the fuselage as shown.



- 4.21. Glue the fins as shown.



- 4.22. Glue the fins as shown.



ROBAN

5. SPAREPARTS LIST

AC500PJ001		500AH1 前头	500 AH-1 canopy
AC500PJ002		500AH1 前窗	500 AH-1 window set
AC500PJ003		500AH1 机翼组	500 AH-1 stub wings
AC500PJ004		500AH1 武器	500 AH-1 weapon set
AC500PJ005		500AH1 像真件	500 AH-1 antenna set
AC500PJ006		500AH1 脚架	500 AH-1 landing gear
AC500PJ007		500AH1 齿轮组	500 AH-1 tail shaft
AC500PJ008		500AH1 侧板	500 AH-1 side frames
AC500PJ008V2		500AH1 侧板 碳纤	500 AH-1 side frames v2
AC500PJ009		500AH1 像真座椅	500 AH-1 cockpit
AC500PJ010		500AH1LED 灯	500 AH-1 light set

ROBAN

AC500PJ011		500AH1 水印	500 AH-1 decals
500WBX		500 轴传通用 尾波箱	500 AH-1 tail gearbox
500WBX01		500 轴传通用 短尾管+轴+ 拉杆	500 AH-1 short tail tubes
500WBX02		500 轴传通用 扇齿	500 AH-1 tail gears
500WBX03		500 轴传 45 度斜齿	500 AH-1 tail gear

ROBAN

6. ILLUSTRATION OF READY MOUNTED HELICOPTER



Specifications:

Length: 1125mm

Height: 244mm

Width: 330mm

Weight: 700g

Suitable for Align TREX500 und similar mechanics



We wish you a lot of fun with the fuselage!

ROBAN

Copyright 2024 – www.robamodel.com